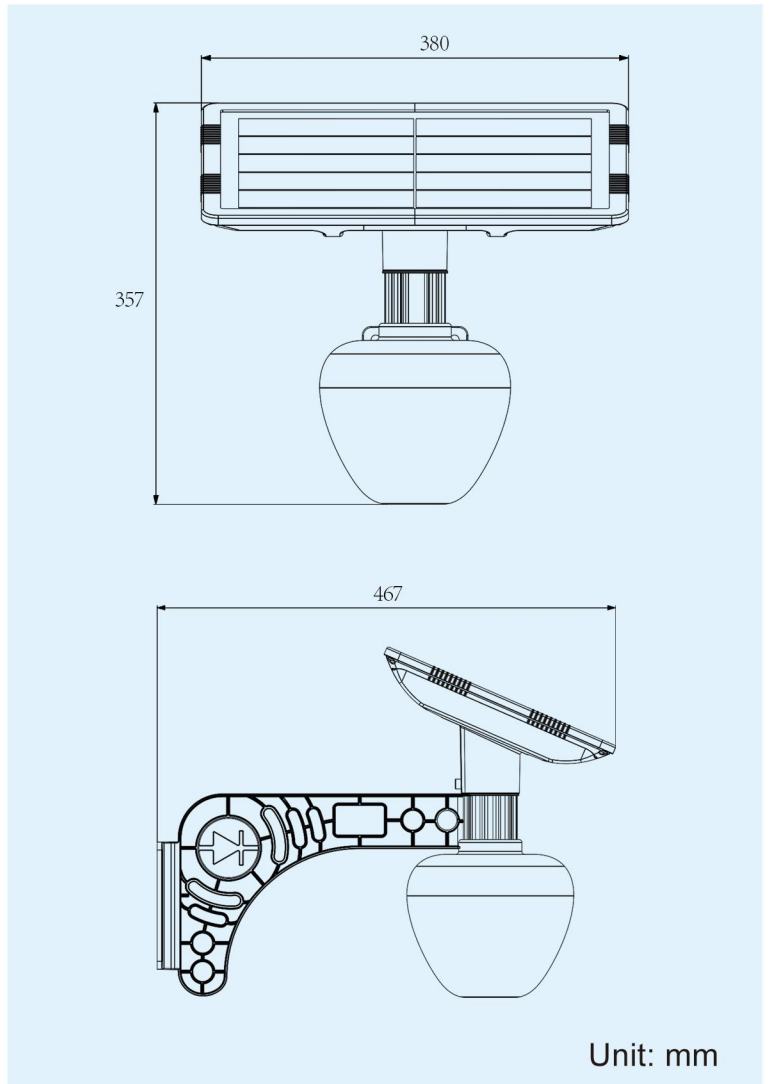
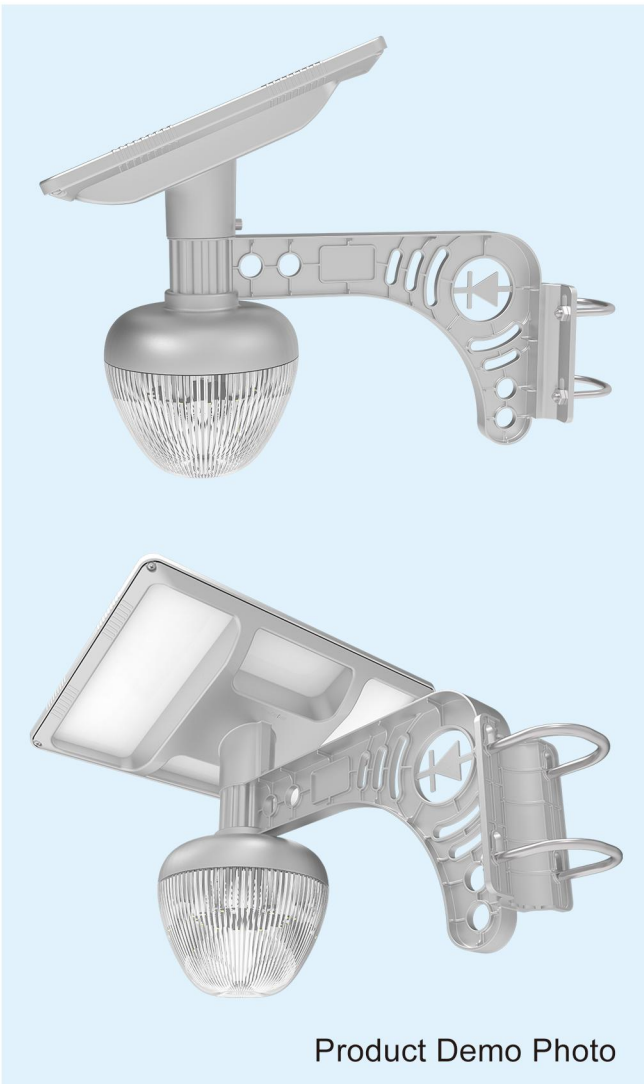
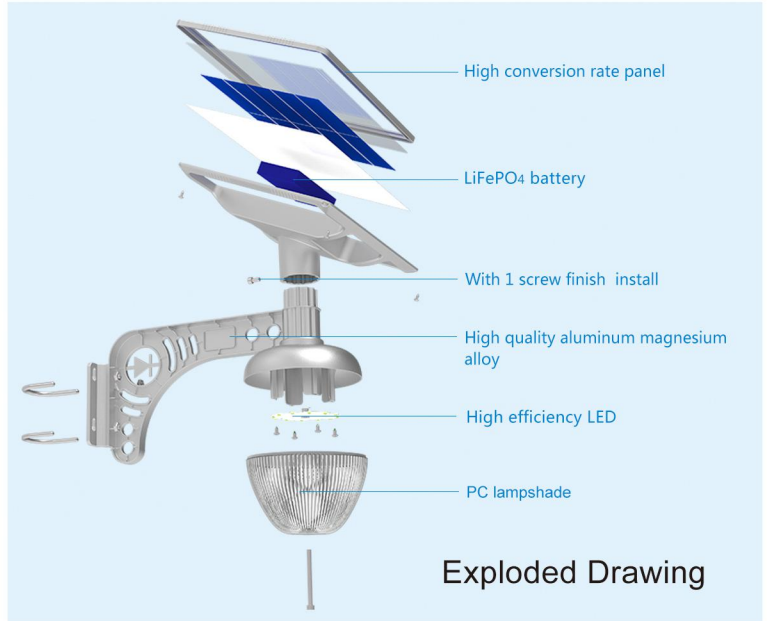


BCT

☺☺ Solar Garden Light — Golden Apple Light



Product advantage

- Original patent design, independent mould.
- All night lighting. The light never be off no matter how many rainy or cloudy days.
- The light can be installed from Equator area to Polar regions. The working temperature is -47-70°C.
- Integrated design, modular production and one screw installation.
- 3.2V, low voltage design, safe and reliable.
- Integrated package, convenient transportation.
- With LiFePO4 battery, high safety, long lifespan.
- With high efficiency LED, with 50000 hrs life span.
- Have two kinds of control mode, adjust according to need, save manpower and material resources.

Applicable place:

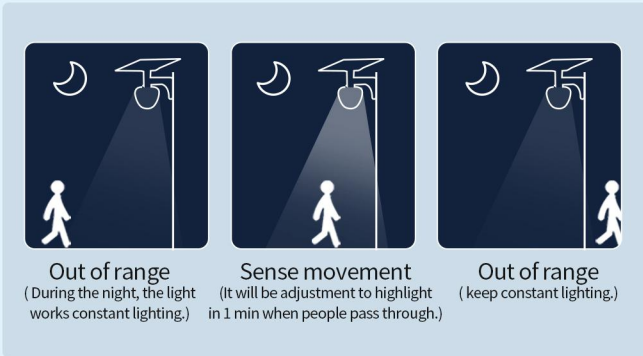
It is widely used in street and roads, residential areas, scenic spots, parks, squares, private gardens and other public places.

Product Parameters

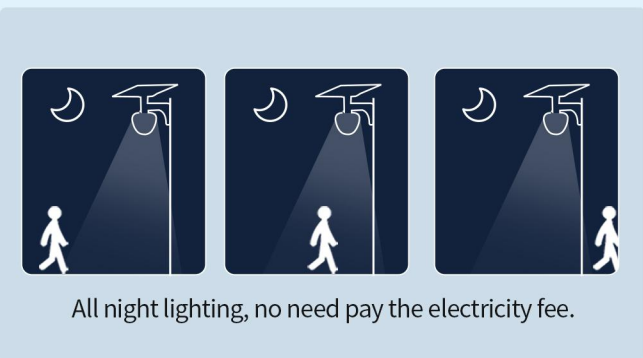
Solar Panel	Solar Panel	5V/18W
	Life Span	25 years
Battery	Voltage/Capacity	Radar sensor: 3.2V/6500mAh LiFePO4 Battery Light control: 3.2V/13000mAh LiFePO4 Battery
	Life Span	8-12 years
Light Source	Power	Radar sensor:18W; Light control:10W
	Life Span	50000 hrs
Control Mode	Radar sensor: During the night, the light works constant lighting. It will be adjustment to highlight in 1 min when people pass through, then keep constant lighting. Light control: All night lighting, the first 4 hrs full power lighting, the rest night lighting is intelligent power control.	
Lampshade	With PC material injection molding	
Installation Height	2.5-3.5m	
Installation Distance	10-15m	
Warranty	more than 10 years	
Qty of Package	2 sets	

Control Mode

(Radar Sensor)



(Light Control)



Product Installation

